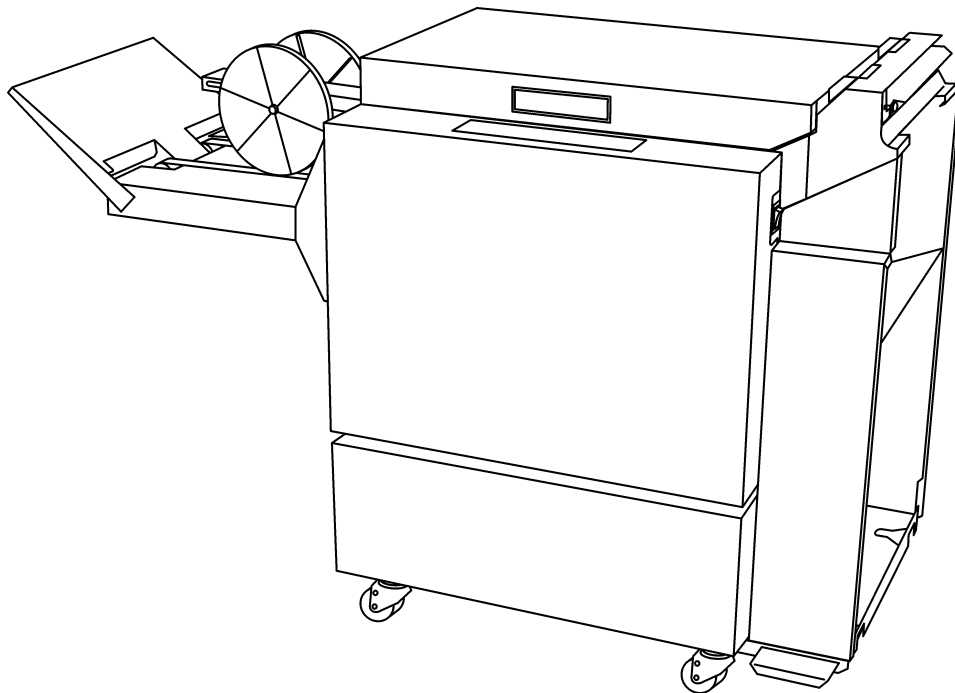

Spare Parts List

Bookletmaker SR 85



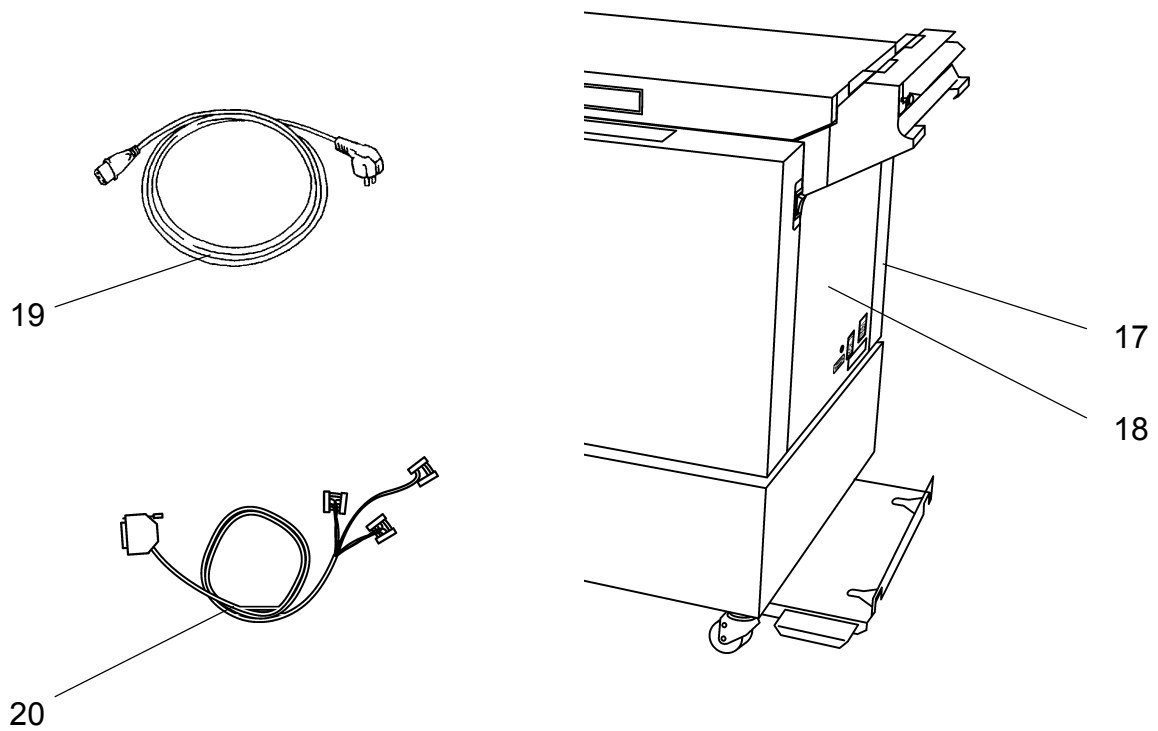
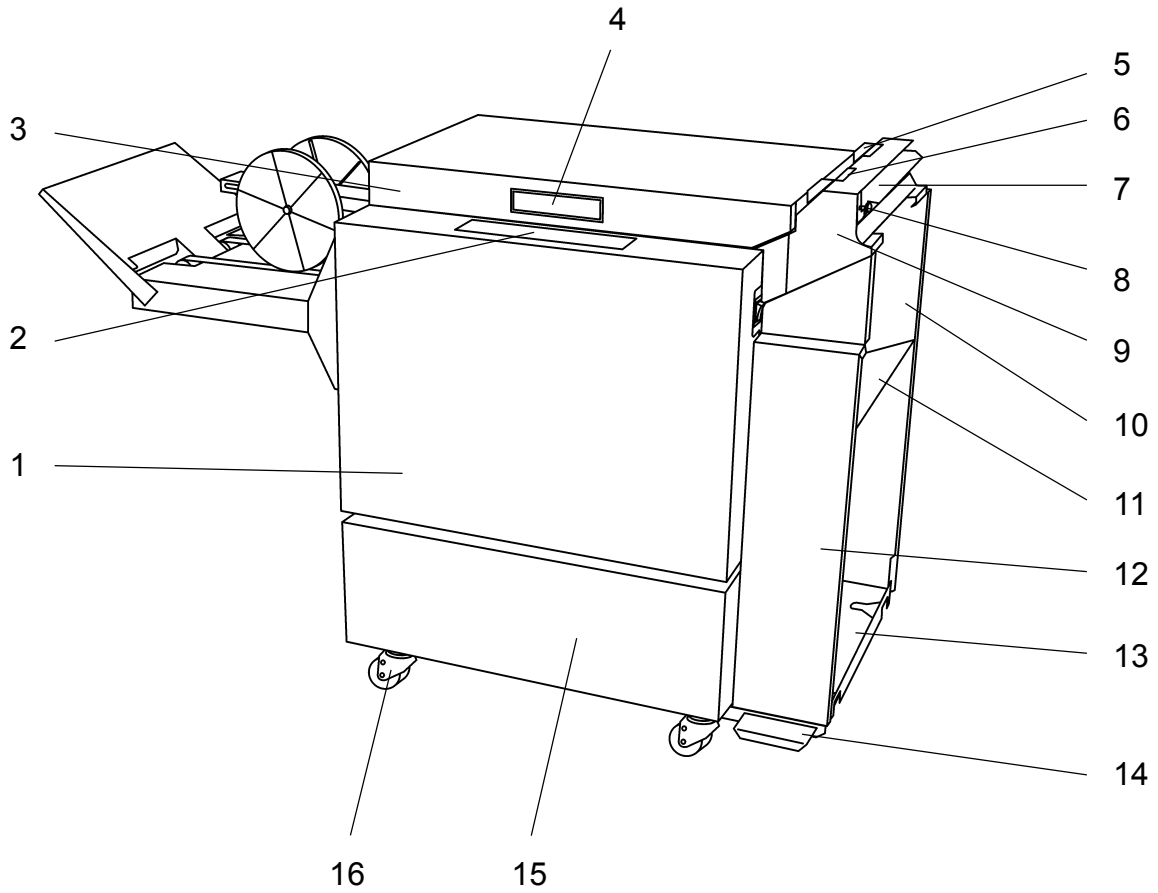
December 2000

Part No. 75679

Contents

TITLE	PAGE	REVISION
Outer view, Infeed	1.1	December 2000
Outer view, Outfeed	1.3	December 2000
Front view, cover removed	1.5	December 2000
Rear view, cover removed	1.7	December 2000
Infeed view, cover removed	1.9	December 2000
Infeed module assembly	1.11	December 2000
Fold area	1.13	December 2000
Stapler	1.15	December 2000
Belt stacker	1.17	December 2000

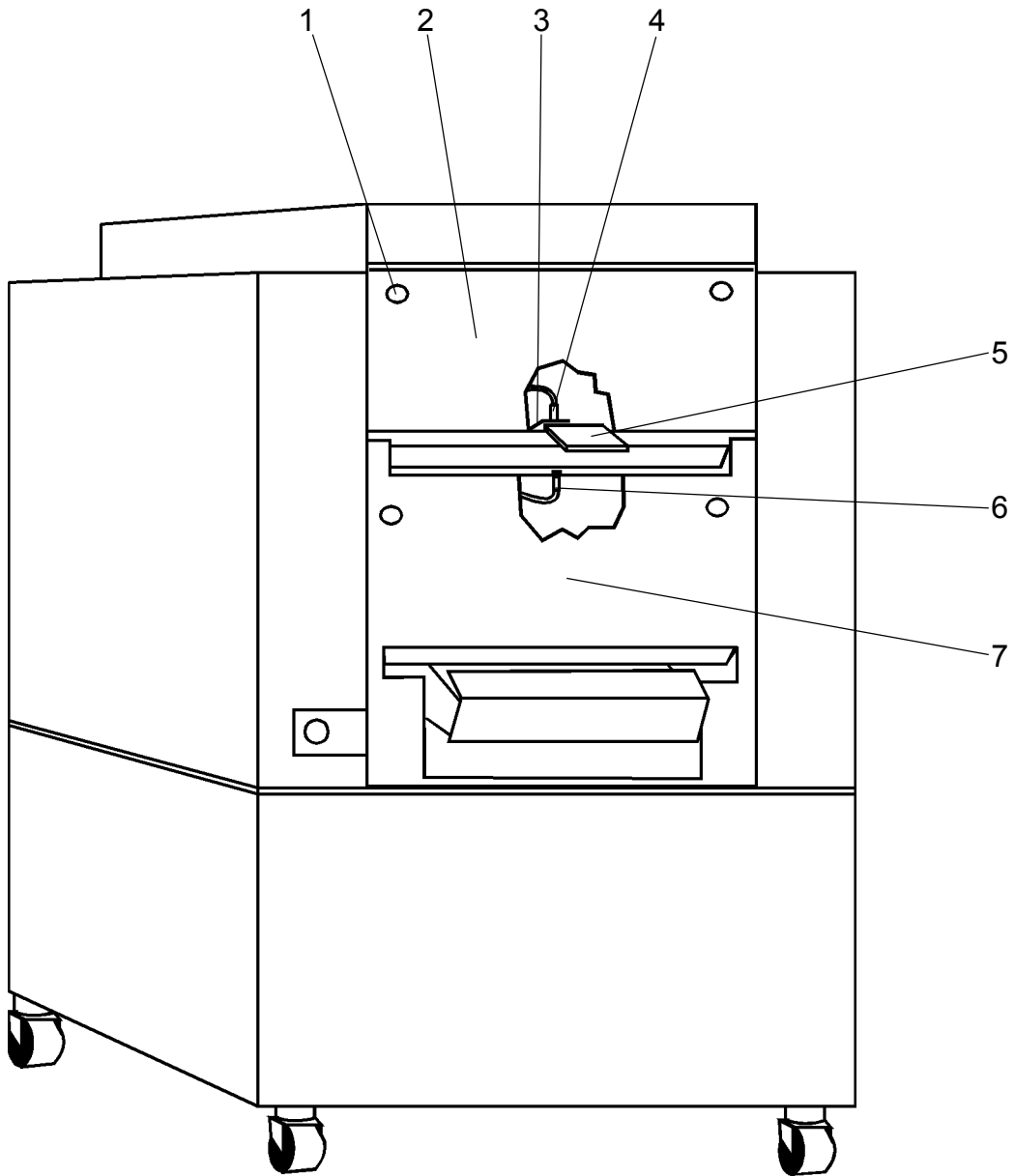
Outer view, Infeed



Outer view, Infeed

Item	Part no.	Qty.	Description	Note
1	PL751045	1	Front cover assembly	
2	PL751047	1	Control panel assembly	
3	PL760121	1	Top cover assembly	Incl. 75539
	PL751035	1	Gas spring	
	PL75154	2	Bushing, hinge	
4	PL75539	1	Handle	Plastic
5	PL75584	1	Rear side guide	For manual feed
6	PL75585	1	Front side guide	For manual feed
	PL20603	2	Gear rack	
	PL20602	1	Gear wheel	
7	PL75582	1	Paper guide	Stainless steel
	PL88226	2	Spring	
8	PL91303	2	Rubber damper	
9	PL760128	1	Infeed assembly	Complete
10	PL75630	1	Rear panel	
11	PL75628	1	Shelf	
12	PL75629	1	Front panel	
13	PL75594	1	Docking plate	
14	PL75595	1	Bracket, docking	
	PL75596	1	Latch, docking	
	PL56605	1	Spring	
15	PL760132	1	Base	Incl. 88465
16	PL88465	4	Castor	
17	PL751046	1	Rear cover assembly	
18	PL75670	1	Infeed cover	
19	PL87156	1	Power Cord	230V machines
	PL87157	1	Power Cord	115V machines
20	PL760002	1	Connection cable	

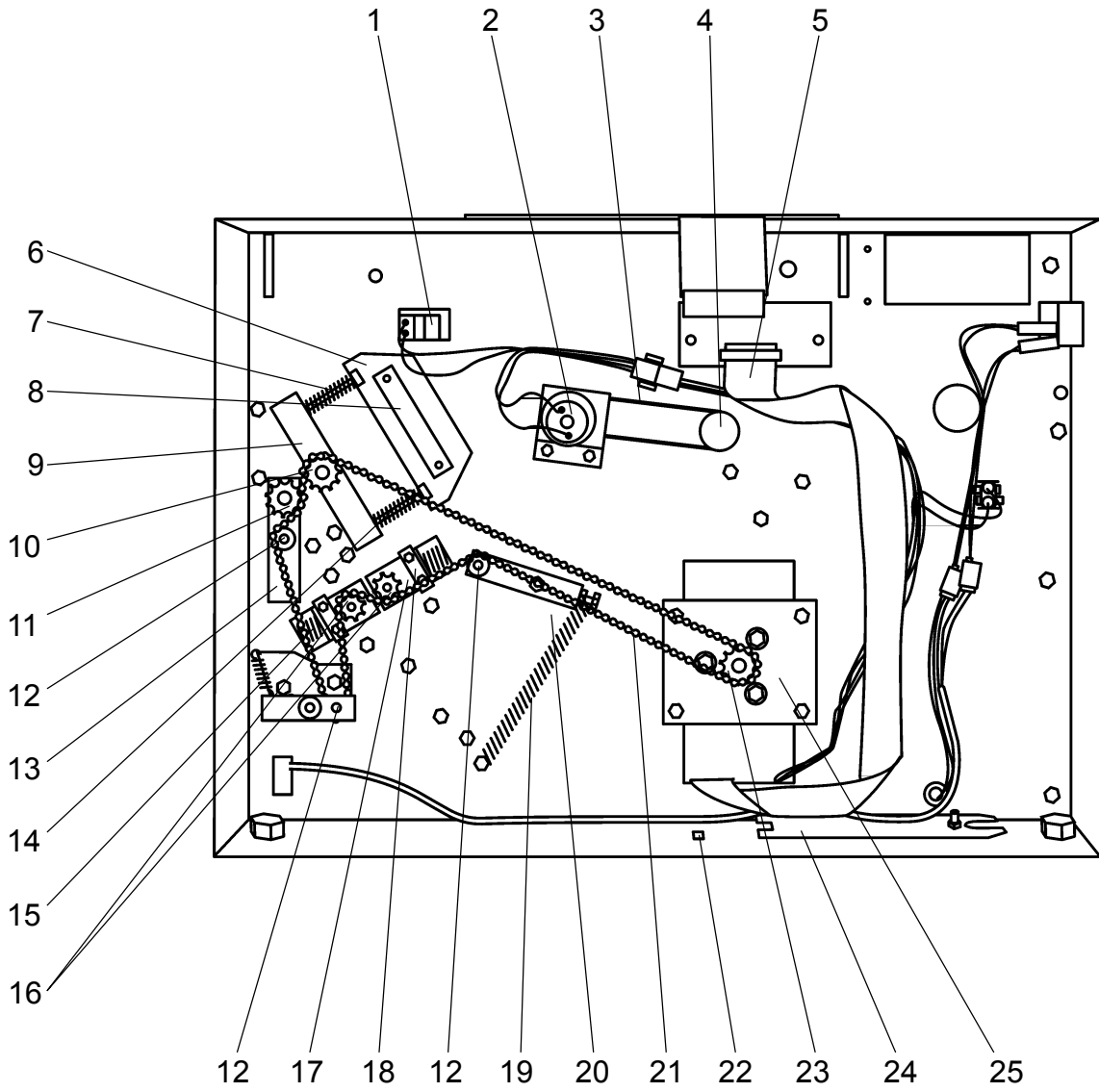
Outer view, Outfeed



Outer view, Outfeed

Item	Part no.	Qty.	Description	Note
1	PL88313	4	Bracket for stacker	
	PL22570	4	Plastic cap	
2	PL75003	1	Upper outfeed cover	
3	PL75120	1	Bracket, phototransistor	
4	PL881009	1	Phototransistor assembly	SEN 4
5	PL75153	1	Outfeed paper deflector	
	PL75316	1	Outfeed paper deflector for trimmer	
	PL89714	1	Plastic guide	
6	PL881008	1	LED assembly	
7	PL75633	1	Lower outfeed cover	

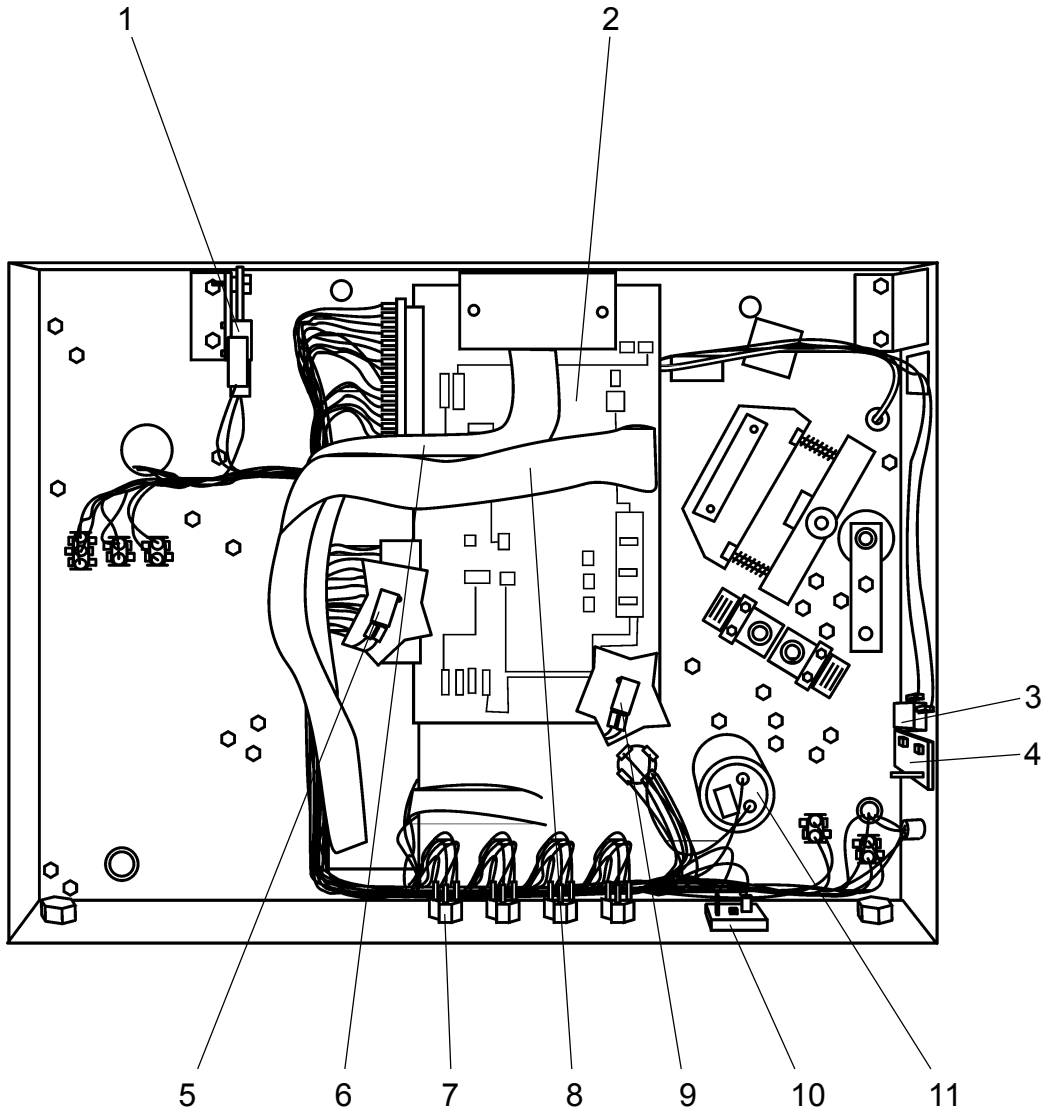
Front view, cover removed



Front view, cover removed

Item	Part no.	Qty.	Description	Note
1	PL88520	1	Set counter	
2	PL751053	1	Edge staple stop motor assy.	MOT10
3	PL75341	1	O-ring	
4	PL75553	2	Pulley	
5	PL751075	1	Front panel extension assy.	
6	PL60623	2	Spring bracket	
7	PL60751	2	Spring	
8	PL60742	2	Nut plate	
9	PL603012	2	Spring loaded bearing block assy.	Same part # front & rear Incl.60627
	PL60627	2	Needle bearing	
10	PL10543	1	Sprocket	
	PL75149	2	Bearing, plastic	Same part # front & rear
11	PL10543	1	Sprocket	
	PL60627	2	Needle bearing	Same part # front & rear
12	PL761002	1	Idler roller assy	Incl. shafts, bearings & retaining rings
13	PL761004	2	Bearing block assy.	Incl. bearings. Same part # front & rear
14	PL75301	2	Spring	
15	PL75485	4	Spring	
16	PL88826	2	Sprocket	
	PL60508	4	Flange bushing	
17	PL761005	4	Spring loaded bearing block assy.	Same part # front & rear
18	PL75496	4	Guide, fold roller	Plastic
19	PL60753	1	Spring	
20	PL75499	1	Chain tensioner	
20	PL75551	1	Chain	
22	PL75278	1	Stapler head alignment tool	
23	PL80609	1	Sprocket	
24	PL87017	1	Castor wrench	
25	PL87271	1	Folder roller motor	MOT8

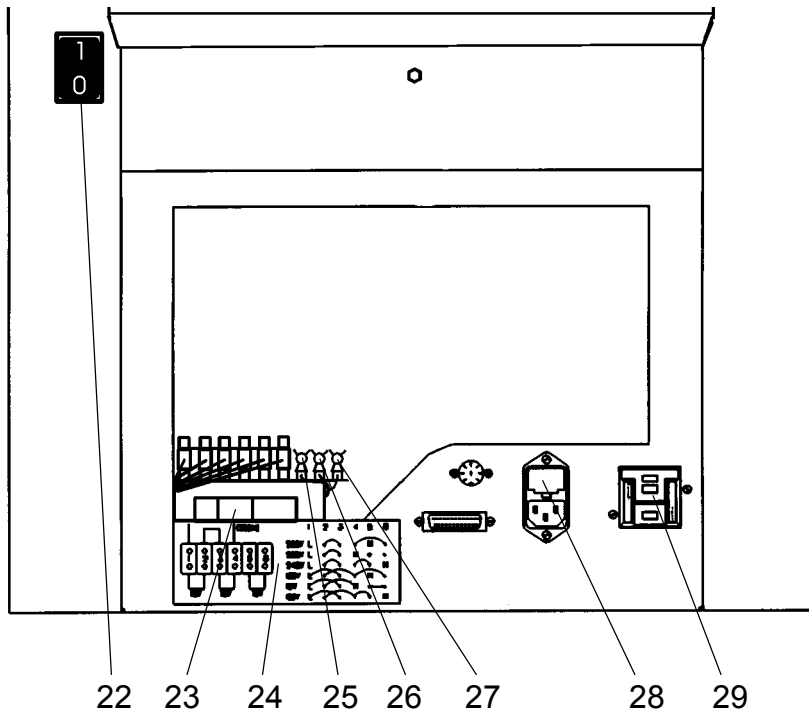
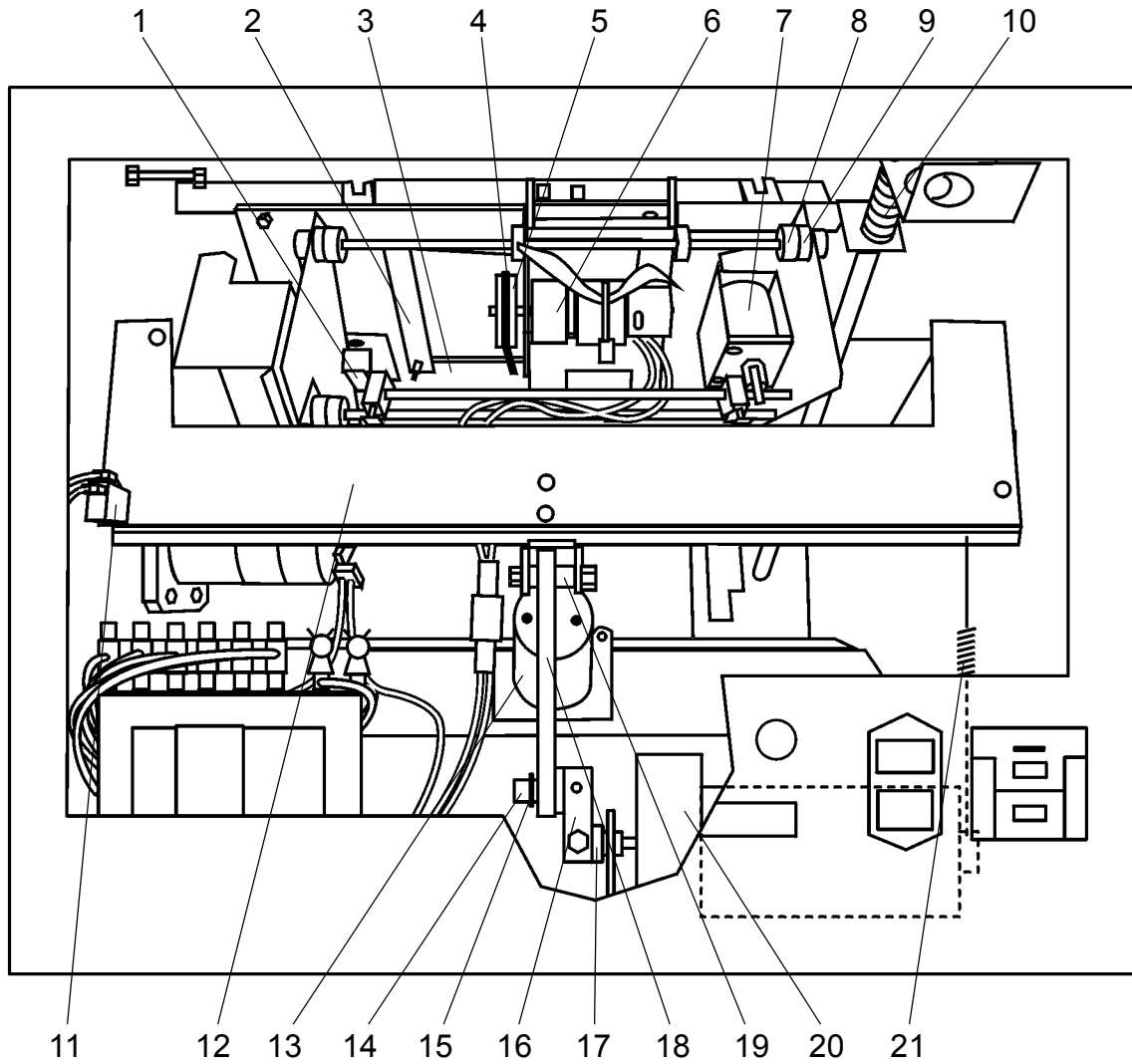
Rear view, cover removed



Rear view, cover removed

Item	Part no.	Qty.	Description	Note
1	PL80652	1	Interlock switch	SW 5
	PL75154	2	Bushing, hinge	
2	PL761008	1	Controller printed circuit board	PCB PL75-1
	PL75190	4	Plastic pin, snap-in	19 mm.
3	PL80652	1	Interlock bypass switch	SW 6
4	PL75022	1	Interlock bypass switch actuator	
	PL75044	2	Bushing	
5	PL87083	1	Length adjustment minimum limit switch	SW 4
6	PL750203	1	Communication extension assy.	Incl. Interface receptacle
7	PL88492	5	Ground connector	
8	PL751075	1	Front panel extension assy.	
9	PL87083	1	Length adjustment maximum limit switch	SW 3
10	PL20711	1	Rectifier	REC 1
	PL88519	1	Insulator	
11	PL880157	1	Capacitor assy.	C 1

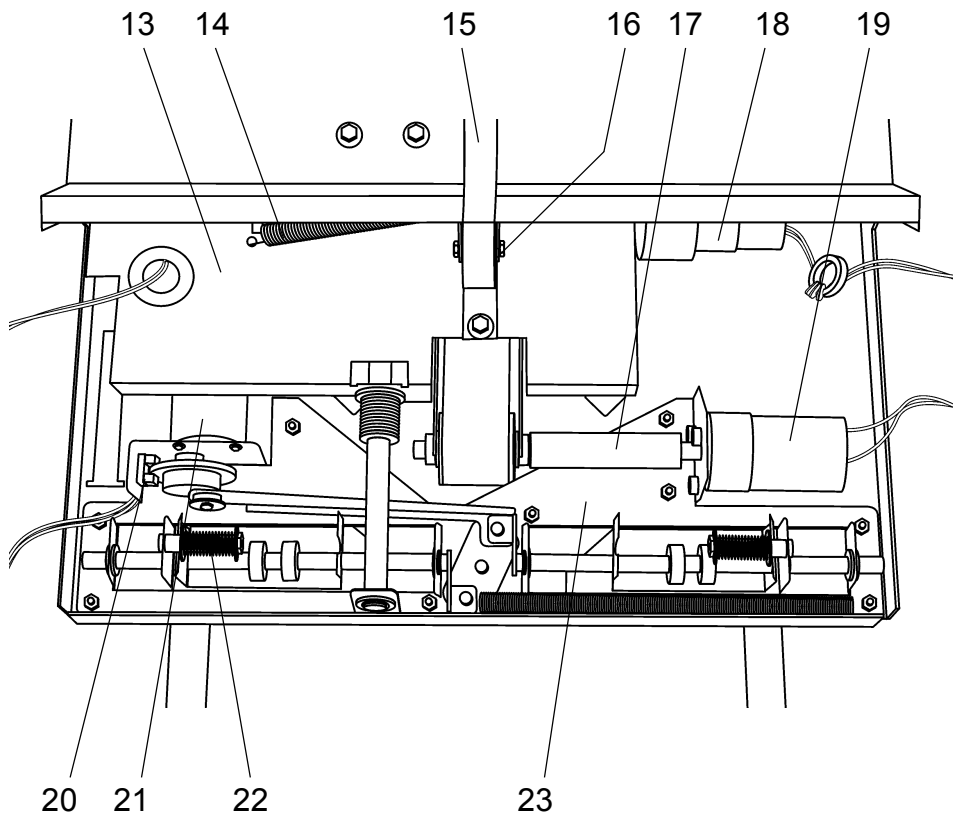
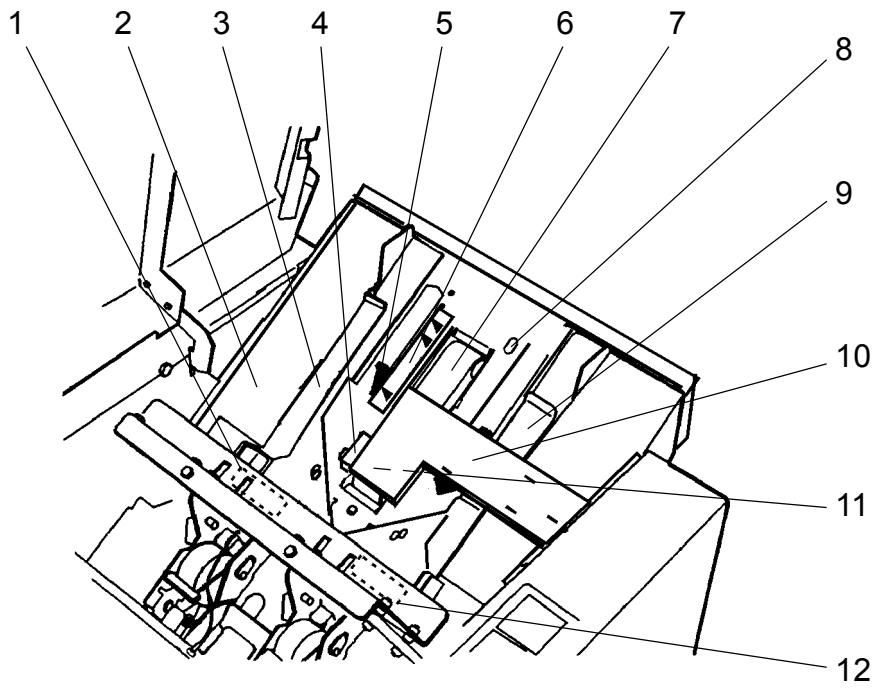
Infeed view, cover removed



Infeed view, cover removed

Item	Part no.	Qty.	Description	Note
1	PL751014	1	Staple stop gate release solenoid	SOL 2
2	PL75480	2	Stay, staple stop gate	
3	PL761003	1	Staple stop gate	
4	PL75341	1	O-Ring	
5	PL80744	1	Pulley	
6	PL750241	1	Stapled set transport motor assy.	MOT 4 Incl. Item 6
7	PL751017	1	Stapled set transport solenoid assy.	SOL 1
8	PL60852	4	Collar	
9	PL90146	2	Flange bushing	
10	PL75143	1	Threaded rod	
11	PL87083	1	Stapler home position switch	SW 1
12	PL75209	1	Lower stapler bracket	
13	PL750179	1	Fold knife motor	MOT 2
14	PL60507	1	Crank journal	
15	PL60510	1	Retaining ring	
16	PL75164	1	Crank elbow, stapler	
17	PL90146	1	Flange bushing	
18	PL60505	1	Rod	
29	PL60894	1	Bushing	
20	PL750179	1	Stapler motor assembly	MOT 1
21	PL761006	1	Spring, motor brake assy.	
22	PL60976	1	Main power switch	SW 7
23	PL75482	1	Transformer	T 1
24	PL75233	1	Jumper diagram label	
25	PL60519	1	10 VAC Fuse, 500mA	F3
26	PL60519	1	10 VAC Fuse, 500mA	F2
27	PL88557	1	26 VAC Fuse, 6.3A	F4
28	PL88570	1	Power receptacle	
	PL60651	1	Main power fuse, 3.15A	F 1, 230 V Machines
	PL88557	1	Main power fuse, 6,3A	F 1, 115 V Machines
29	PL88957	1	Ground fault interrupter	GFI
	PL750209	1	Wiring harness, GFI	

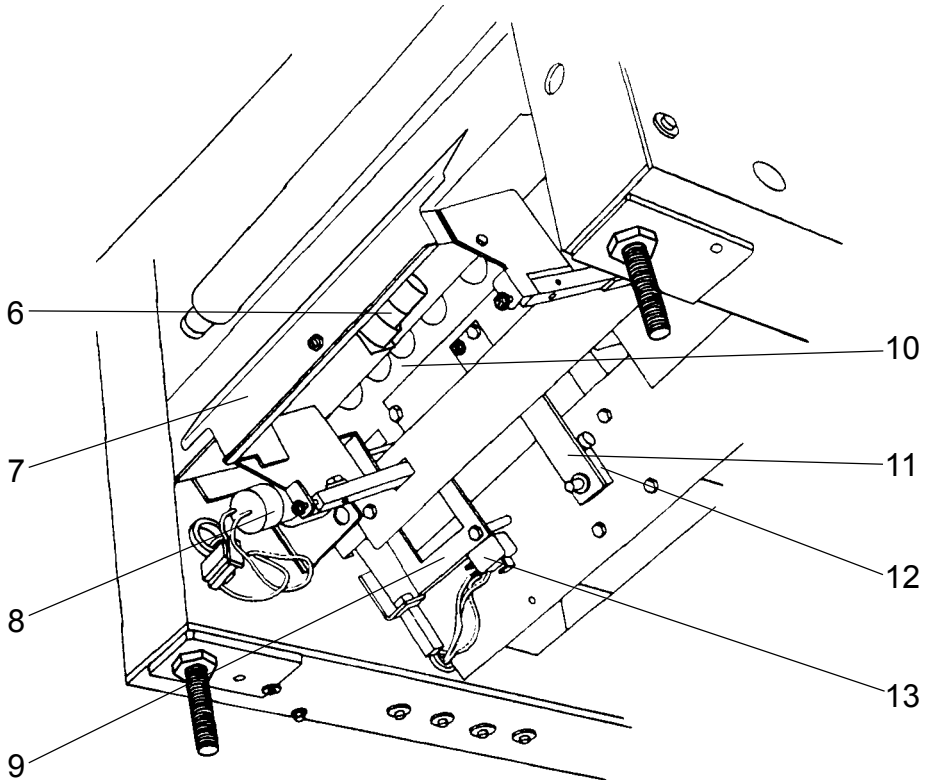
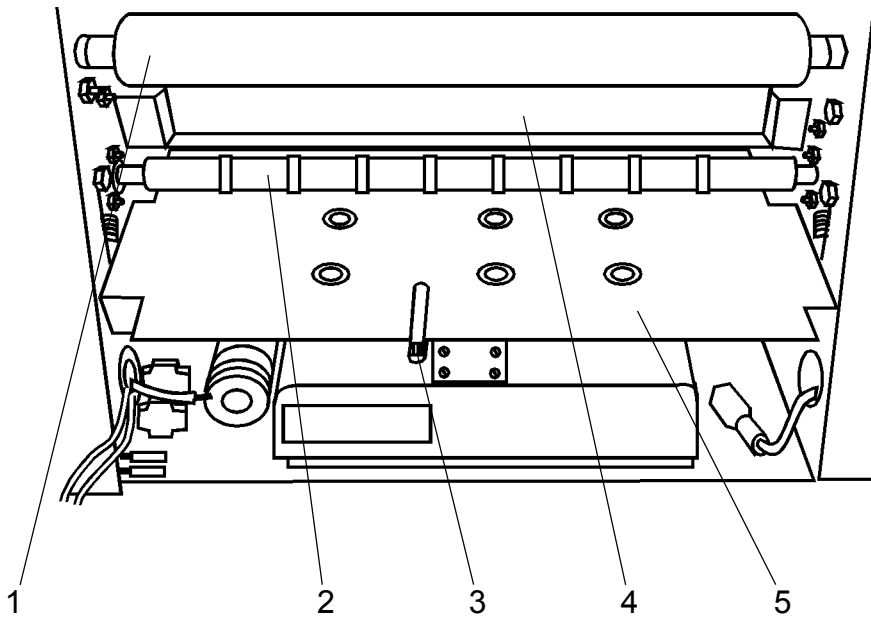
Infeed module assembly



Infeed module assembly

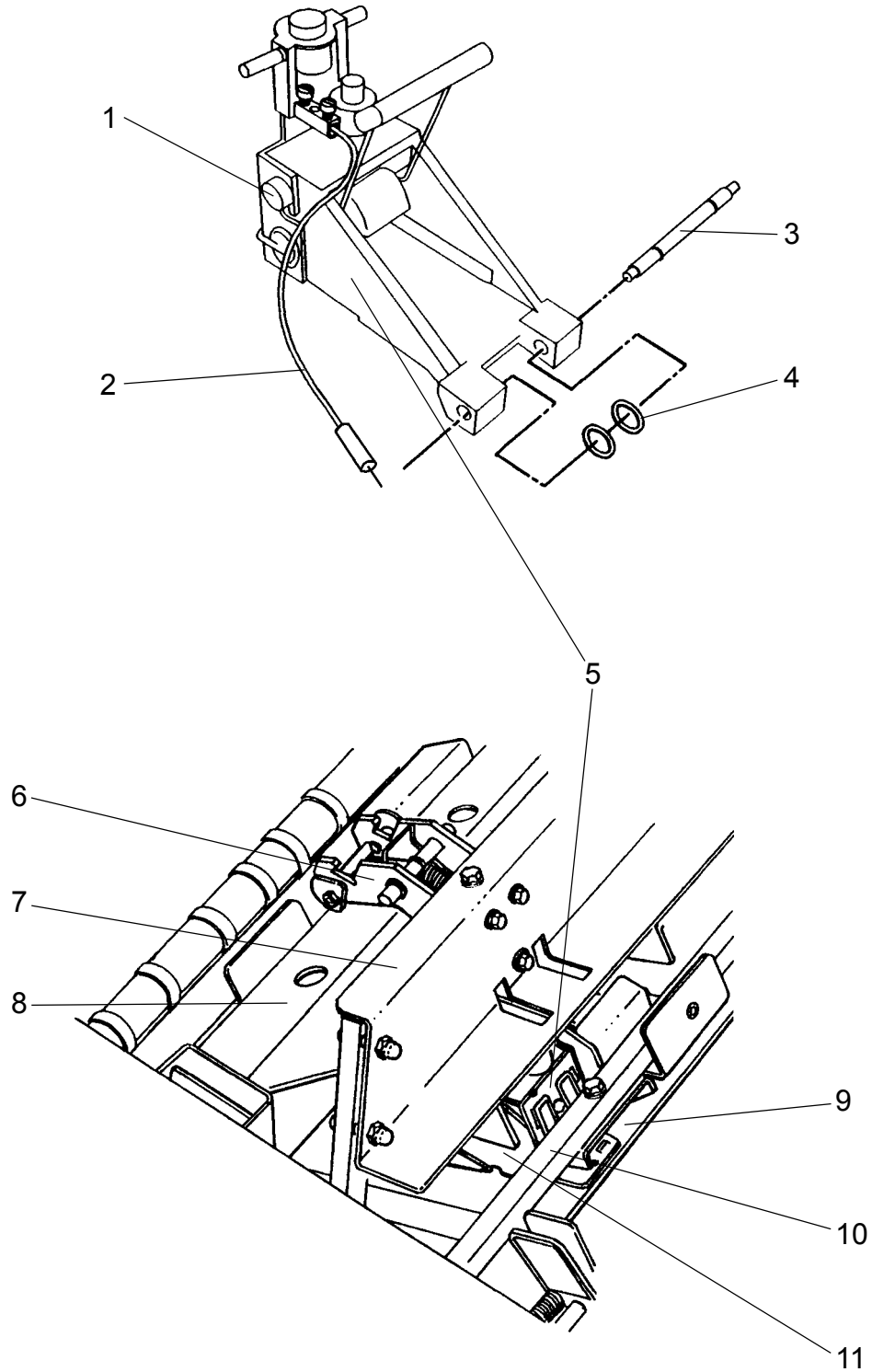
Item	Part no.	Qty.	Description	Note
1	PL75646	1	Label, right side guide	
2	PL75569	1	Infeed module frame	
3	PL75638	1	Rear Side guide assembly	
4	PL75161	1	Edge stapling transport arm	
	PL75162	1	Edge stapling transport roller	
5	PL75501	1	Back jogger	
6	PL75365	1	Scale	A4/A3 machines.
	PL75366	1	Scale	8.5x11"/11x17" machines.
7	PL750171	1	Infeed Transport belt assembly	Incl. 75089, 75066, 75064
	PL75089	1	Infeed trasport belt	
	PL75066	1	Drive roller	
	PL75064	1	Roller	
8	PL75512	1	Infeed sensor	SEN 5
	PL75497	1	Sensor bracket	
9	PL75639	1	Front Side guide assembly	
10	PL750157	1	Pressure arm assembly	Incl. 75346, 751050, Item 3, 10
	PL75346	1	Pressure arm	
	PL751050	1	Upper pressure roller assembly	
11	PL751025	1	Edge stapling transport motor assy.	MOT 11
12	PL75645	1	Label, left side guide	
13	PL75577	1	Back jogger housing	
14	PL75246	1	Spring	
15	PL751074	1	Length adjustment strap	
16	PL750118	1	Roller	
17	PL75541	1	Drive coupling	
18	PL750242	1	Back jogger motor assembly	MOT 7
19	PL150214	1	Infeed transport belt motor	MOT 9 Incl. Bracket
20	PL45188	1	Slotted optical switch	SEN6
21	PL761001	1	Motor, side jogger	MOT3
22	PL60751	2	Spring	
	PL75203	2	Sleeve	8 x 34 mm.
23	PL761007	1	Drive assy., side joggers	Complete

Fold area



Fold area

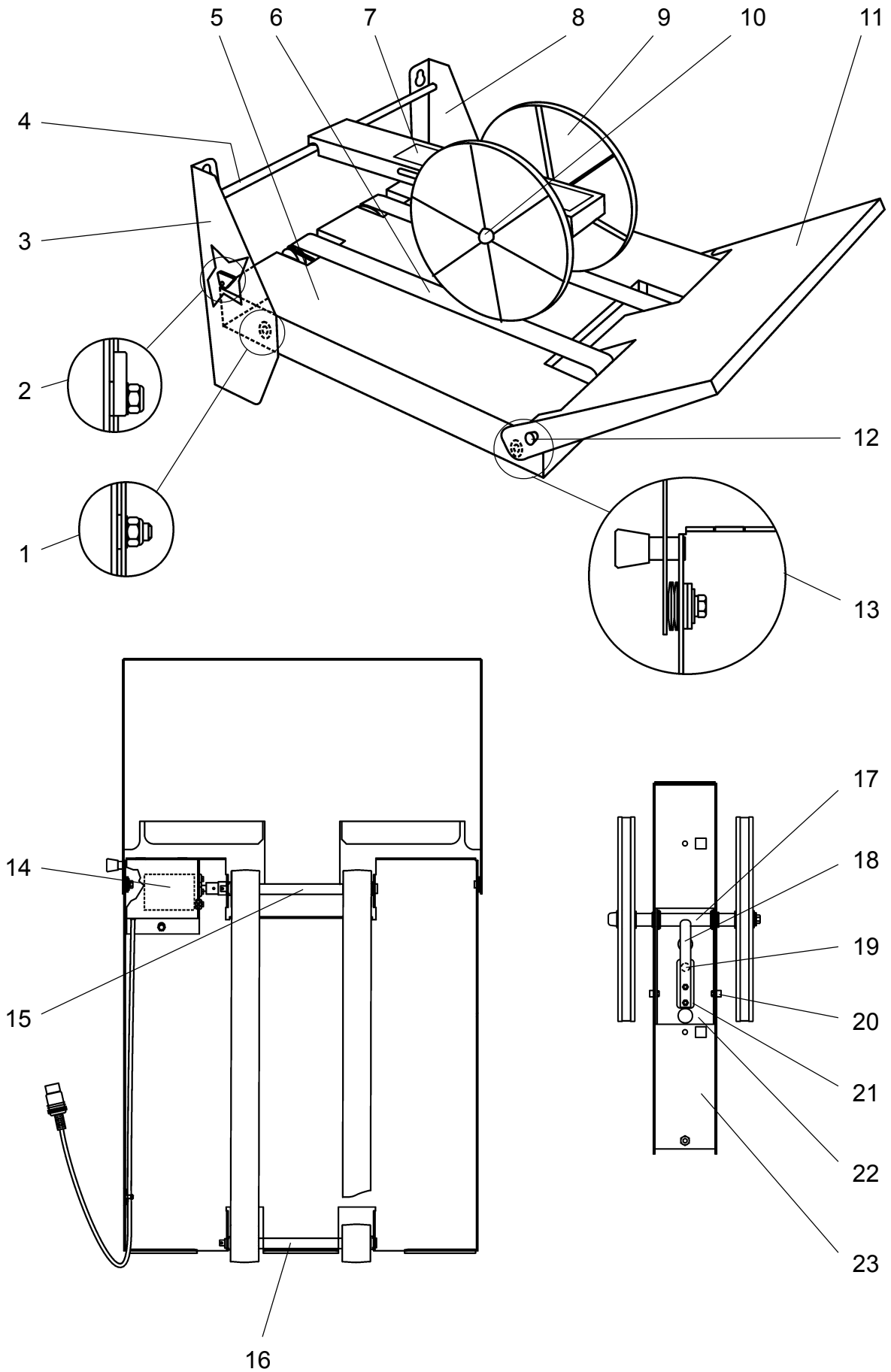
Item	Part no.	Qty.	Description	Note
1	PL600125	2	Upper folder roll	
2	PL75542	2	Lower folder rolls assembly	
3	PL75512	1	Fold stop sensor assembly	SEN 2
	PL750246	1	Wiring harness, fold stop sensor	
4	PL60740	2	Guide plate	
5	PL75546	1	Lower paper path	
6	PL760110	1	Fold stop gate motor assembly	MOT 12
7	PL75640	1	Fold stop gate	
8	PL751036	1	Length adjustment motor	MOT 6
9	PL75269	1	Fold knife plate	
10	PL75021	1	Fold knife blade	
11	PL60505	1	Rod	
12	PL60185	1	Crank elbow, fold knife	
113	PL751038	1	Fold knife home position switch assy.	SW 2



Stapler

Item	Part no.	Qty.	Description	Note
1	PL88461	4	Insulator	
2	PL750183	2	Staple detection lead assembly	
3	PL751034	2	Pivot pin assembly	Incl. Item 4
4	PL75226	4	O-Ring	
5	PL751079	2	Stapler head assembly	Incl. Item 1, 2
6	PL750147	2	Retraction swing arm assembly	Incl. 75225, 75243
	PL75225	2	Torsion spring	
	PL75243	2	Spring	
7	PL75013	1	Upper stapler bar	
8	PL75462	1	Stapler mounting bracket	
	PL751020	1	Saddle stapling sensor assembly	SEN 1
	PL87006	2	Tire, drive rollers	
9	PL750169	1	Staple forming bar assembly	Incl. 75180, 75104
	PL75180	2	Anvil	
	PL75104	1	Edge stapling sensor	SEN 3
10	PL75213	1	Stapler mounting bar	
11	PL751055	1	Stapler bracket assy., left side	
	PL751056	1	Stapler bracket assy., right side	Not shown in picture

Belt stacker



Belt stacker

Item	Part no.	Qty.	Description	Note
1	PL89629	2	Cup spring	
	PL97063	2	Washer	Nylon
2	PL75534	2	Stacker height adjustment	
	PL60835	2	Washer	
	PL97063	2	Washer	Nylon
3	PL75519	1	Mounting bracket, rear	
4	PL75532	1	Shaft	
5	PL75524	1	Stacker frame	
6	PL75557	2	Conveyor stacker belt	
7	PL75363	1	Label, stacker	A4/A3 Machines
8	PL75518	1	Mounting bracket, front	
9	PL87317	2	Output wheel	
	PL97009	2	Washer	
10	PL22570	2	Plastic cap	Incl. nylon washer
11	PL75527	1	End plate	
12	PL75474	1	End plate locking device	
13	PL97111	4	Washer	
	PL97052	2	Washer	
	PL55520	6	Cup spring	
14	PL870180	1	Stacker motor assy.	MOT 5
	PL90080	1	Drive shaft coupling	
	PL55529	1	Pin	
15	PL56436	2	Roller	
	PL75523	1	Shaft	
	PL22854	2	Bushing	
	PL55529	1	Pin	
16	PL56436	2	Roller	
	PL75523	1	Shaft	
	PL22854	2	Bushing	
17	PL75522	1	Shaft	
	PL80557	4	Retaining ring	
	PL13075	2	Bushing	
	PL97112	2	Washer	
18	PL75116	1	Sliding contact	
19	PL88248	1	Ball	
20	PL40514	2	Bushing	Plastic
21	PL75099	1	Leaf spring, ball	
	PL97025	4	Washer	
22	PL75520	1	Bracket, output wheel	
23	PL75525	1	Pressure arm	